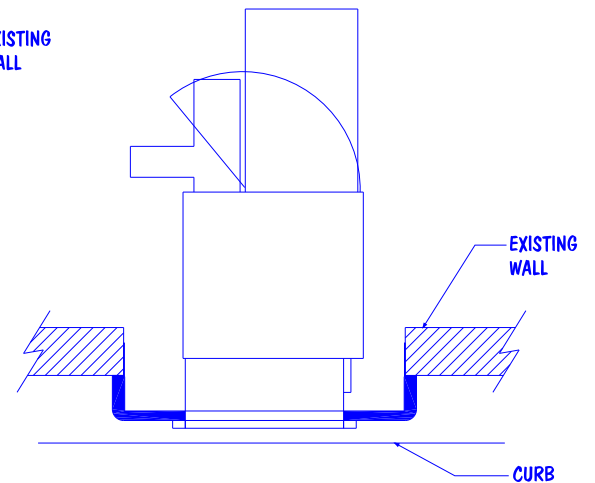
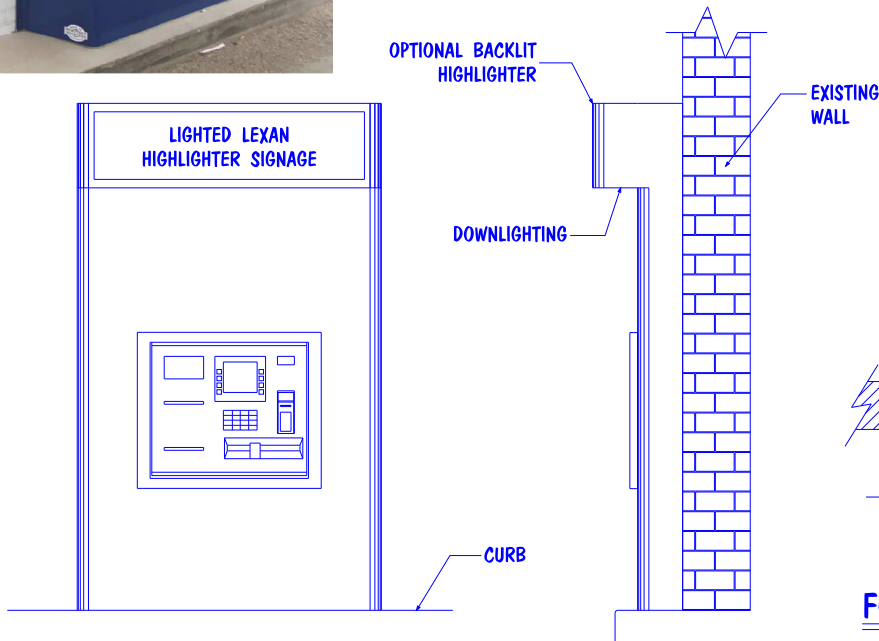


PANEL FOR ATM & NIGHT DEPOSITORY



PROTRUDING PANEL FOR ANY THROUGH THE WALL ATM

09/09

NOTE: #103 PANEL CAN BE CUSTOM BUILT FOR YOUR SITE'S NEEDS



HERITAGE INDUSTRIES

905 Centennial Road • Wayne, NE • (402) 375-4770
www.heritageind.com • sales@heritageind.com

#103 PANEL

Designed for use with any through the wall ATM